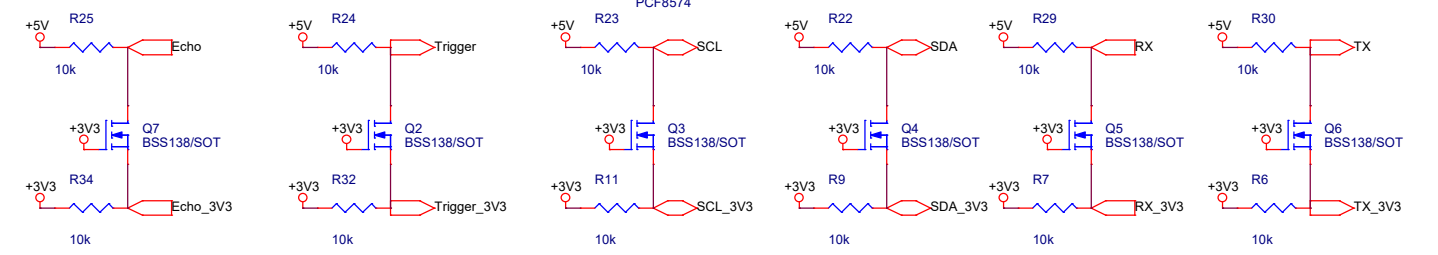
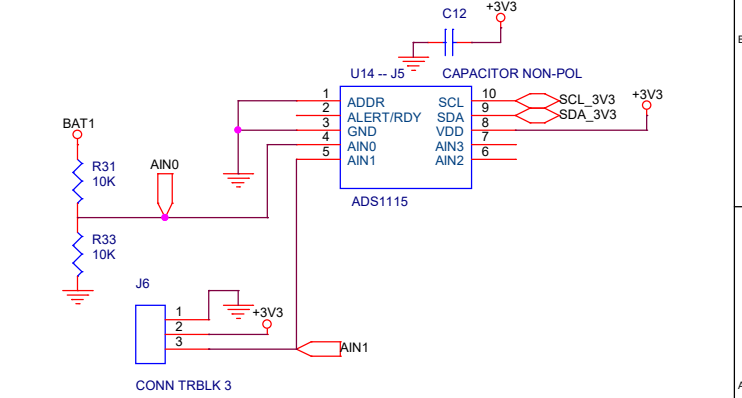
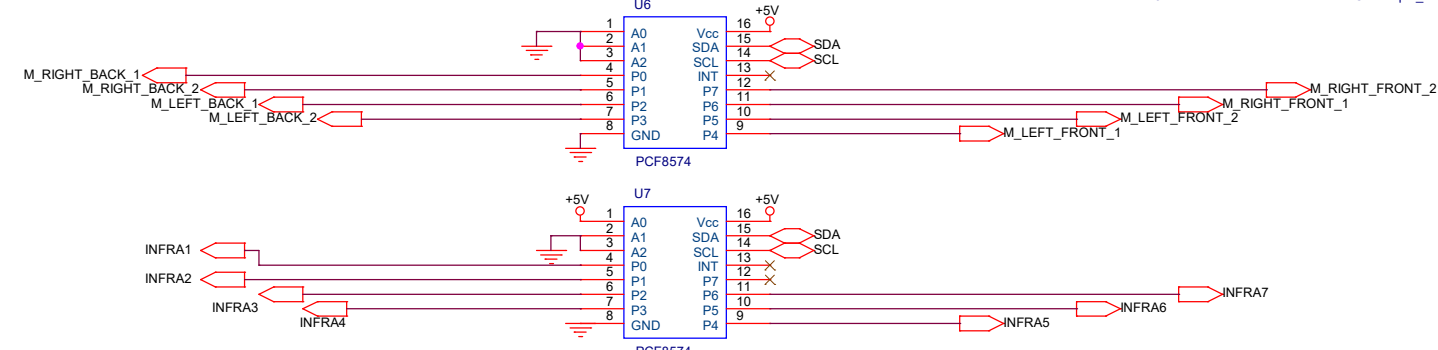
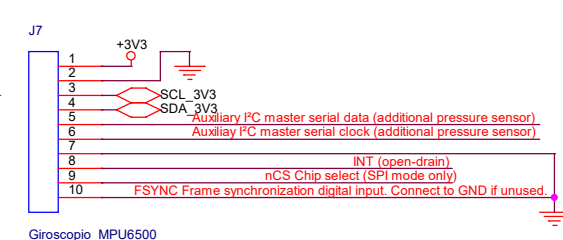
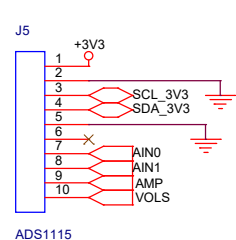
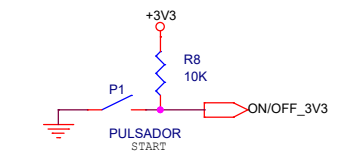
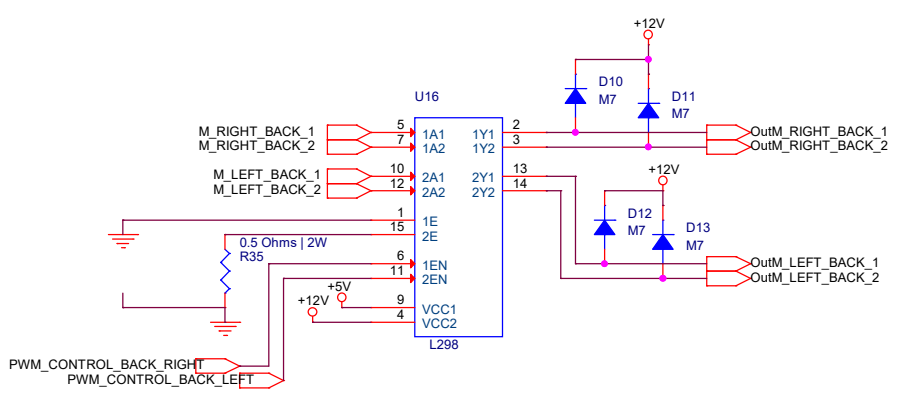
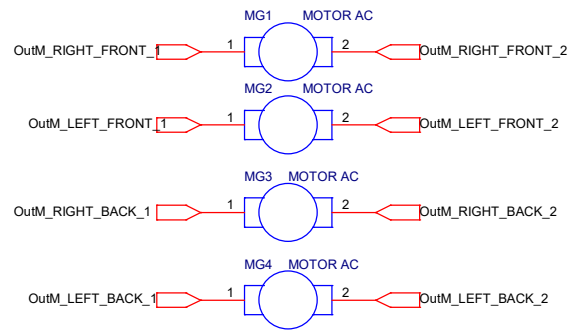
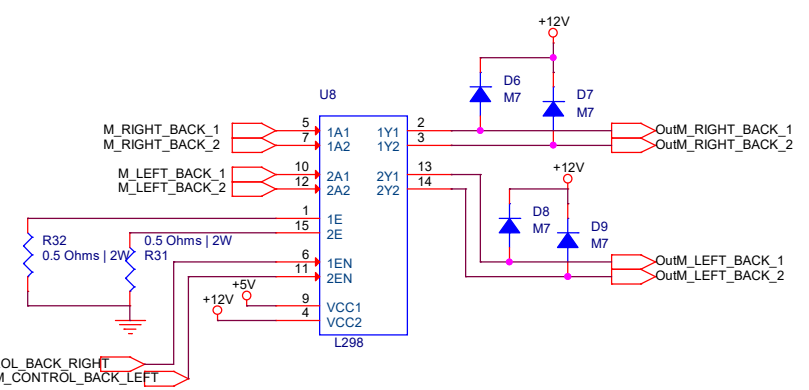
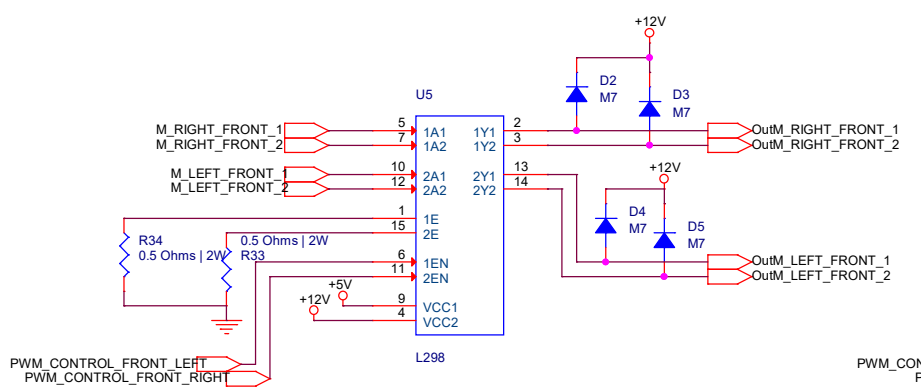


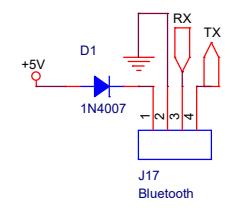
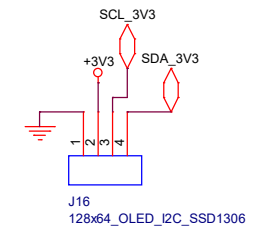
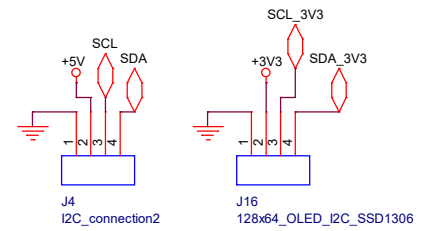
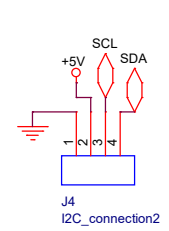
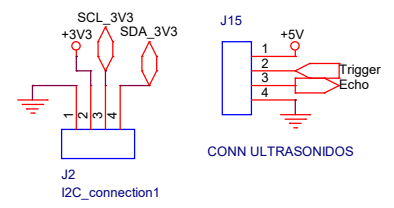
PWM: Channel 0 is available from GPIO 12 and 19. Channel 1 is available from GPIO 13 and 19.



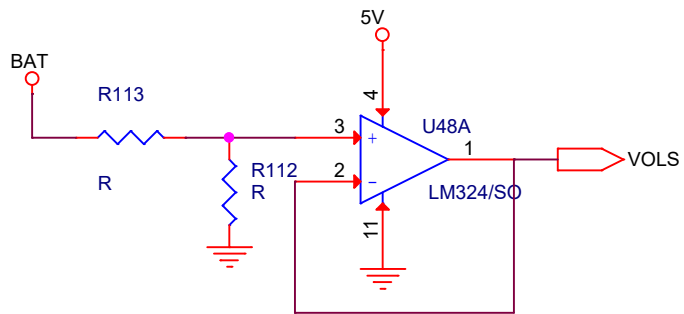
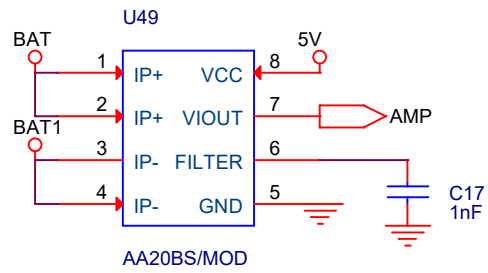
Title		
ROBOT 2019 - CPU		
Size	Document Number	Rev
B	<Doc>	<RevCode>
Date:	Thursday, September 19, 2019	Sheet 1 of 1



Title		
ROBOT 2019 - MOTORS		
Size	Document Number	Rev
B	<Doc>	<RevCode>
Date:	Thursday, September 19, 2019	Sheet 1 of 1



Title			
ROBOT 2019 - PERIF.			
Size	Document Number	Rev	
B	<Doc>	<RevCode>	
Date:	Thursday, September 19, 2019	Sheet	1 of 1
		1	



Title		
ROBOT 2019 - VII		
Size A	Document Number <Doc>	Rev <RevCode>
Date:	Thursday, September 19, 2019	Sheet 1 of 1